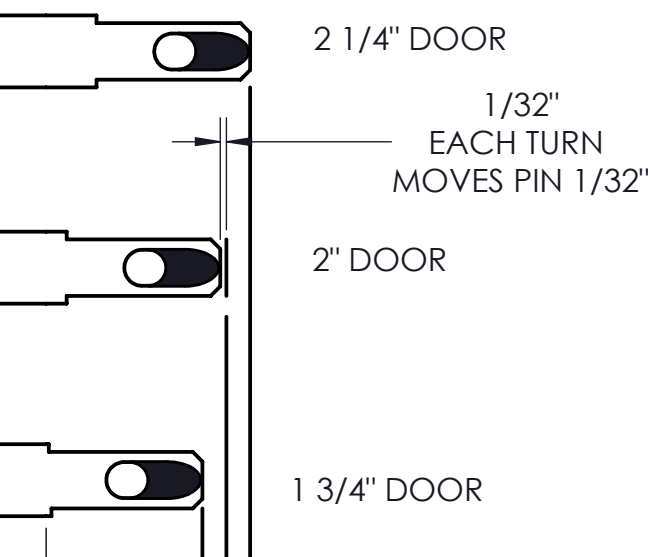
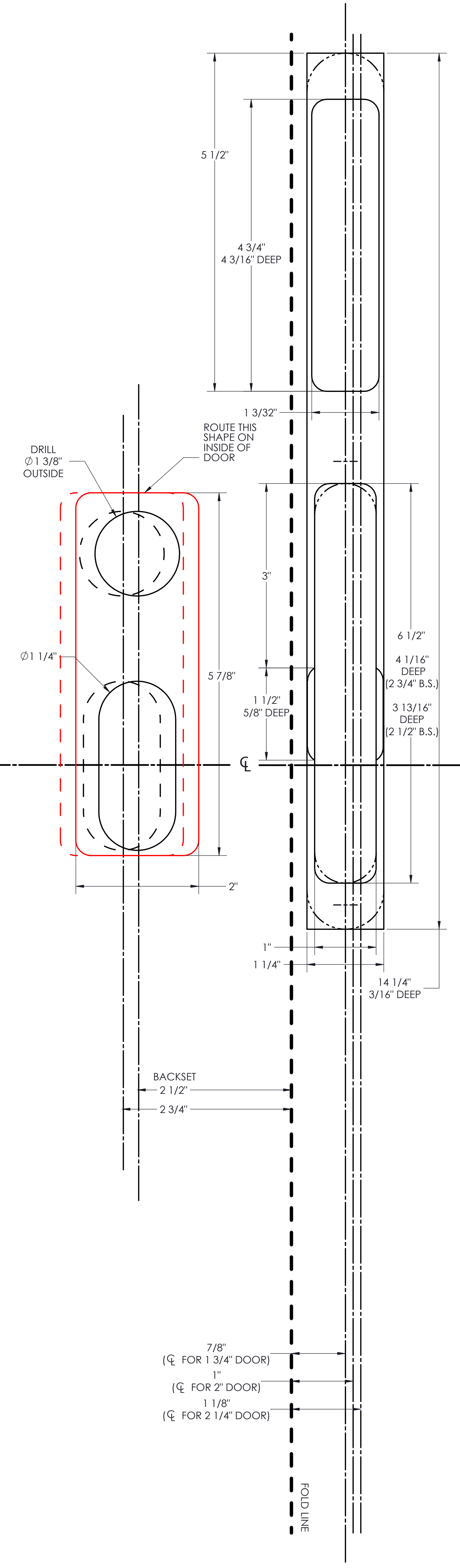


KEELER LOCK MORTISE TEMPLATE ELECTRONIC VERSION

PART NUMBER	REV
DR0755281000	D

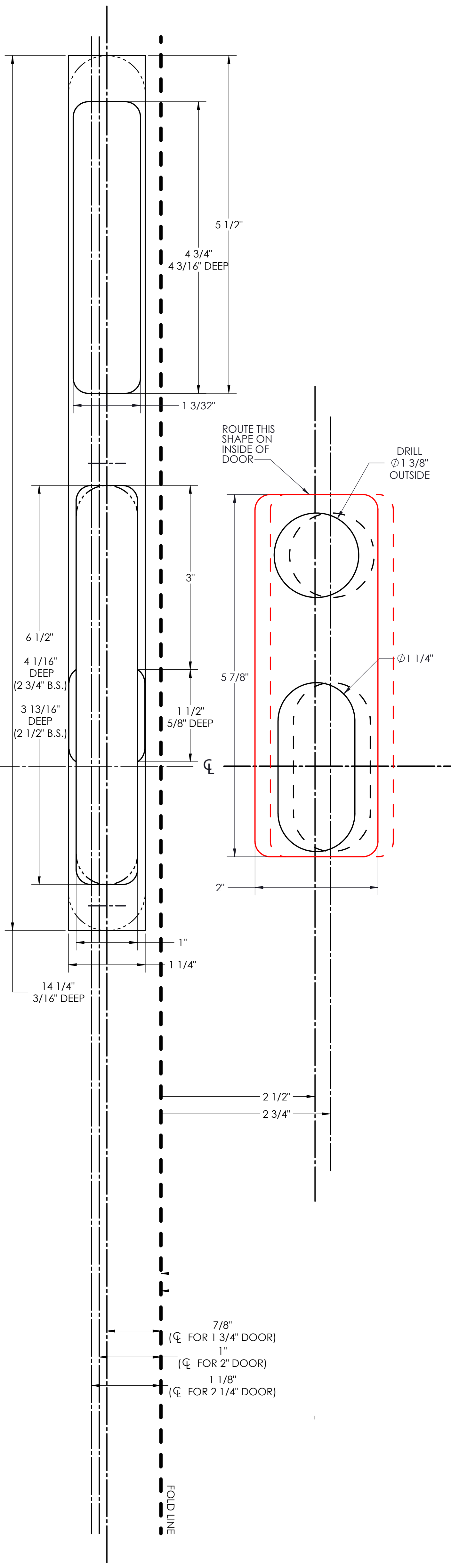


- NOTES:
1. THE DIMENSIONS SHOWN FOR THE BACKSET ARE FOR A SQUARE DOOR
 2. RED LINE = INSIDE

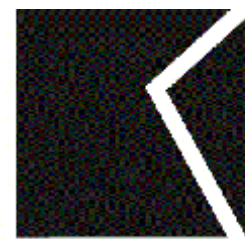


KEELER LOCK MORTISE TEMPLATE ELECTRONIC VERSION

PART NUMBER	REV
DR0755281000	D



- NOTES:
1. THE DIMENSIONS SHOWN FOR THE BACKSET ARE FOR A SQUARE DOOR
 2. RED LINE = INSIDE



KEELER®

2 1/4" DOOR

1/32" EACH TURN MOVES PIN 1/32"

2" DOOR

1 3/4" DOOR

