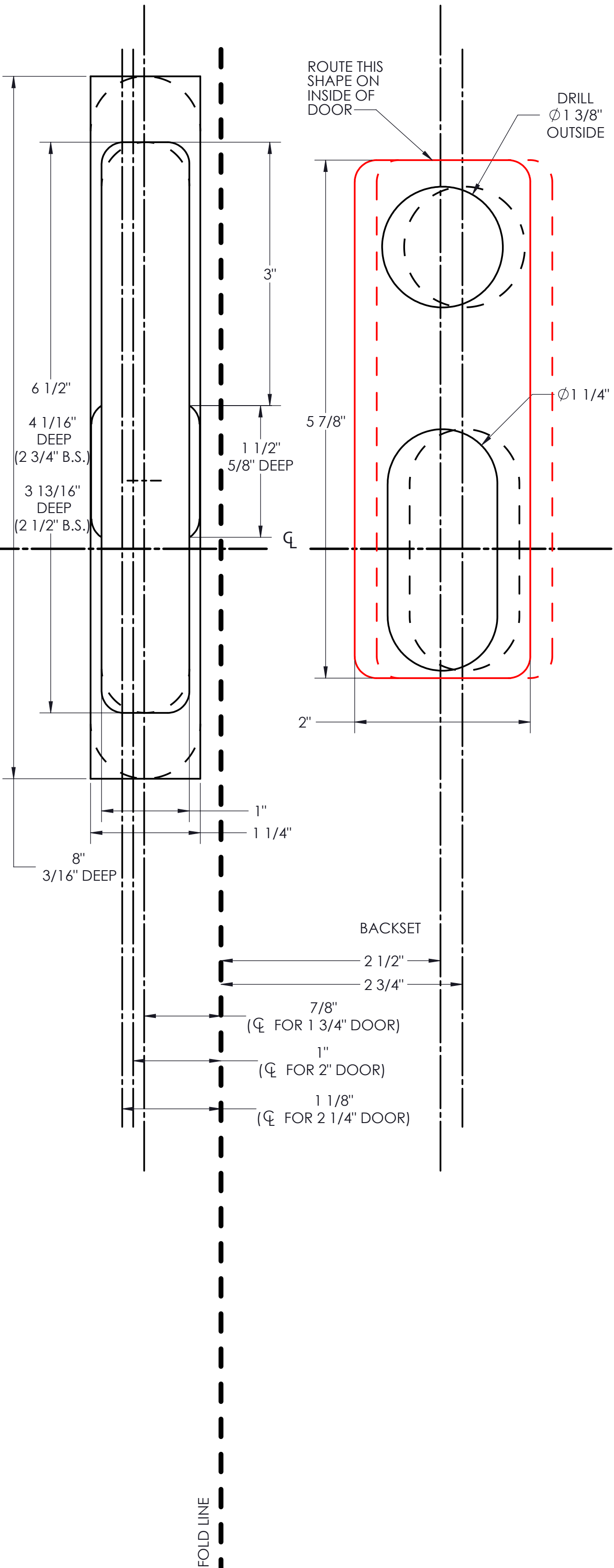


KEELER LOCK MORTISE TEMPLATE KNOB BY KNOB
OR LEVER BY LEVER MECHANICAL VERSION

PART NUMBER	REV
DR0728090000	A



- NOTES:
- THE DIMENSIONS SHOWN FOR THE BACKSET ARE FOR A SQUARE DOOR
 - RED LINE = INSIDE

2 1/4" DOOR

1/32" EACH TURN MOVES PIN 1/32"

2" DOOR

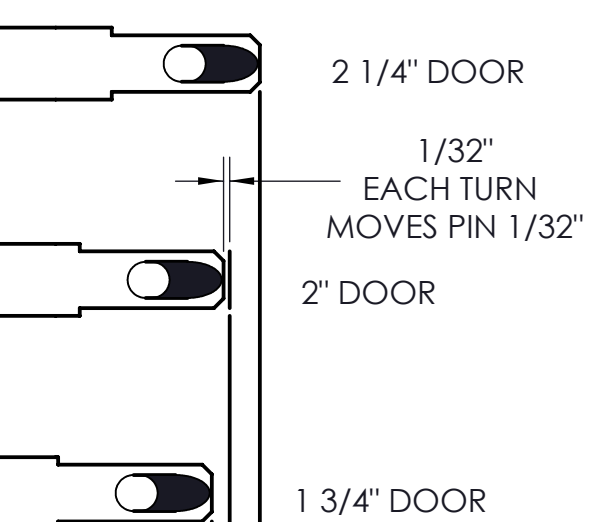
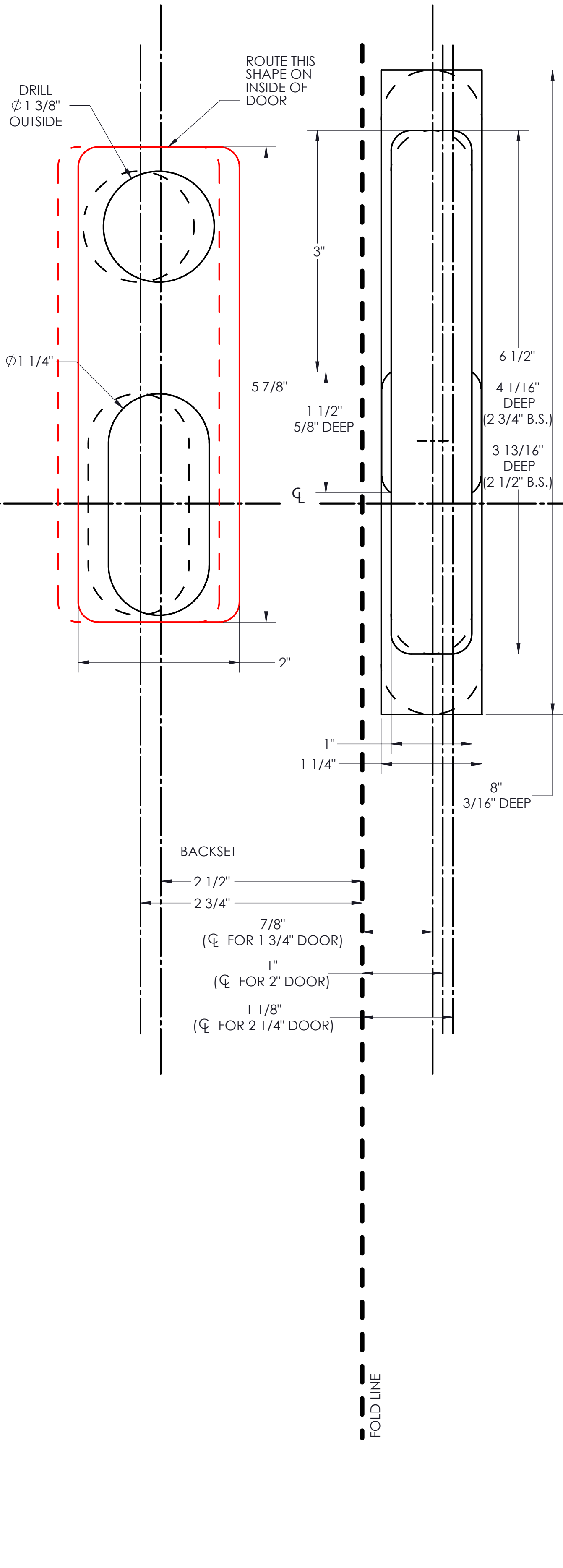
1 3/4" DOOR



KEELER®

KEELER LOCK MORTISE TEMPLATE KNOB BY KNOB
OR LEVER BY LEVER MECHANICAL VERSION

PART NUMBER	REV
DR0728090000	A



- NOTES:
1. THE DIMENSIONS SHOWN FOR THE BACKSET ARE FOR A SQUARE DOOR
 2. RED LINE = INSIDE

