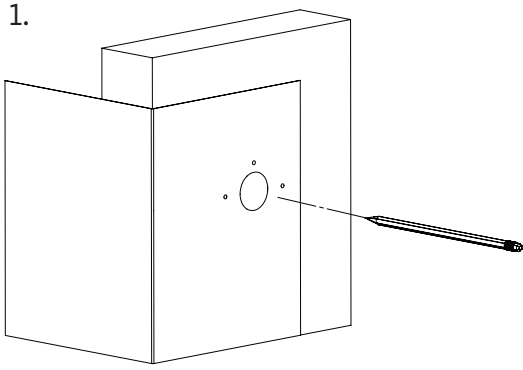
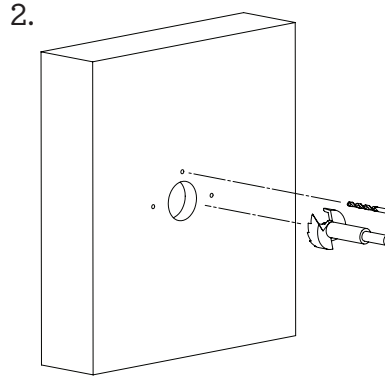


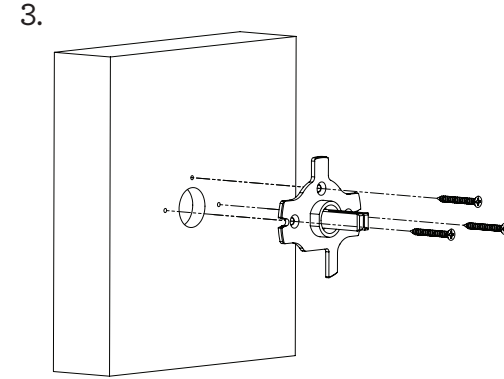
Installation Instructions



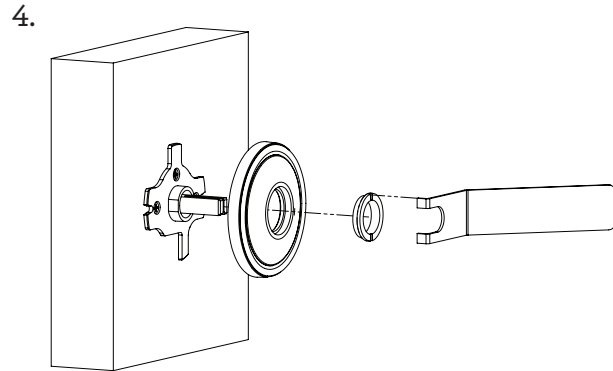
- Mark the door edge between 36" and 40" depending on your preferences above the finished floor.
- Place the included template at the centerline of your door on the lines indicated on template and tape to the door.
- Determine your backset, either 2-3/8" or 2-3/4" and mark location.



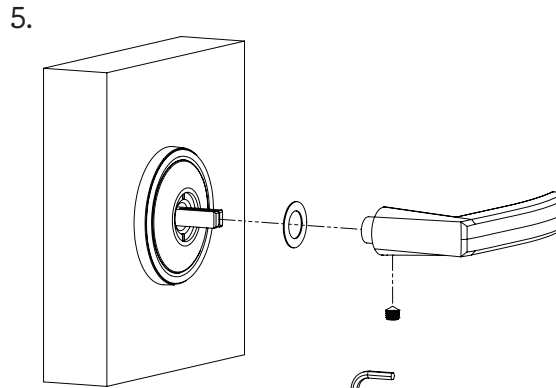
- Bore your hole 0.3" deep using a 3/4" forstner drill bit.
- Then drill 3x 1/16", 1/4" deep pilot holes for #4 screw size.



- Fasten the dummy chassis assembly onto the door, at the drilled location, using the provided 3x #4x1" flat head Philip screws.

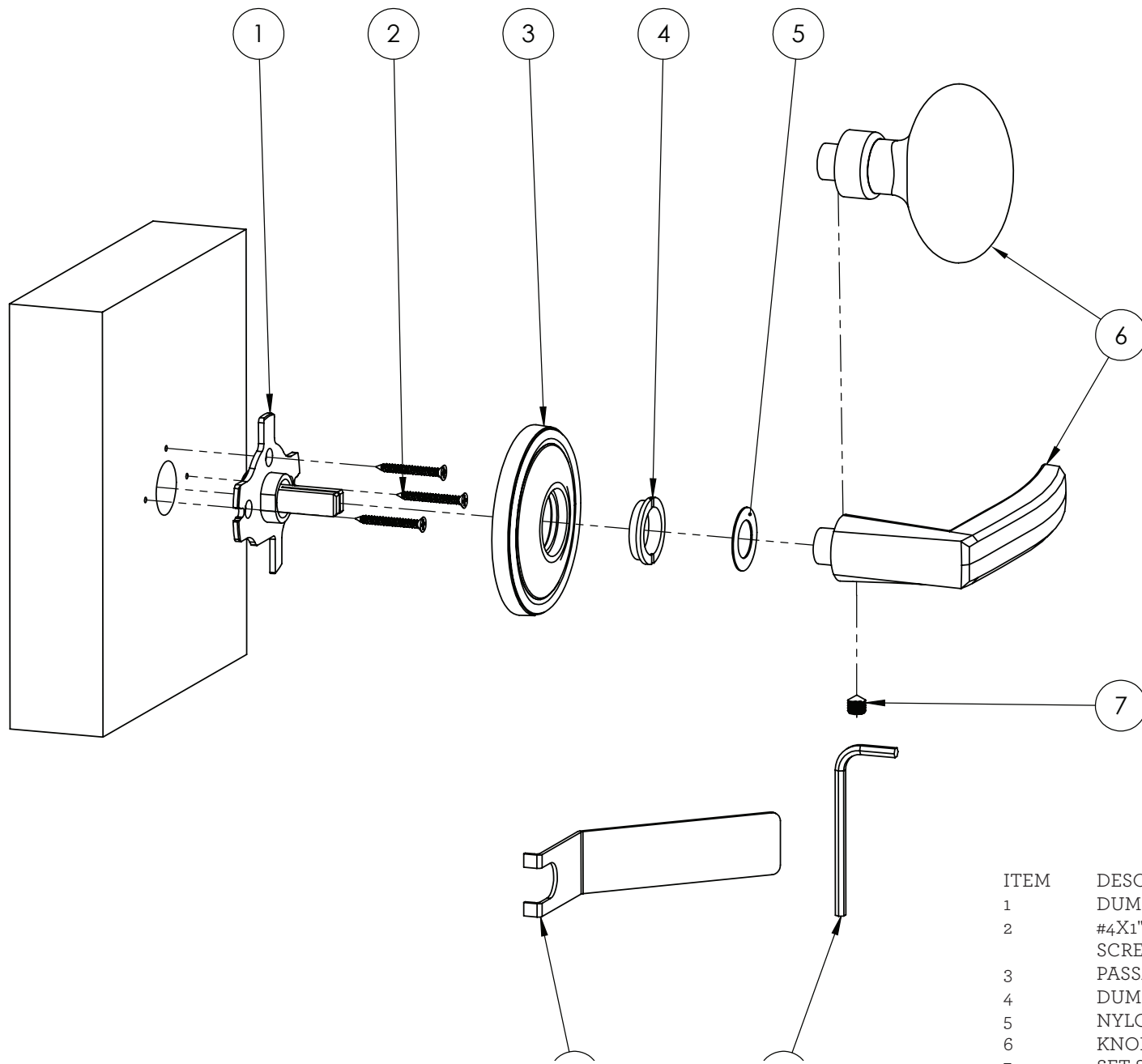


- Place the rose onto chassis. Tighten the rose on the chassis by screwing on the rose nut and tightening with enclosed wrench.
- Prior to inserting the rose nut, ensure that the tab on the inside of the rose sits into the slot on the dummy plate. If the tab does not sit into the slot, the rose will not sit flush on the door.



- Thread set screw into knob/lever but only by a couple turns.
- Slide nylon washer on knob/lever and then slide knob/lever on door over spindle.
- With included allen wrench, tighten set screws. (The set screw should be on the underside of knob/lever.)
- Retain the allen wrench to use for other alignments.

 **KEELER**[®]
Dummy Passage



ITEM	DESCRIPTION	QTY
1	DUMMY PLATE	1
2	#4X1" FLAT HEAD PHILIPS SCREW FOR SHEET METAL	3
3	PASSAGE ROSE	1
4	DUMMY ROSE NUT	1
5	NYLON WASHER	1
6	KNOB/LEVER	1
7	SET SCREW	1
8	ALLEN WRENCH	1
9	ROSE NUT WRENCH	1